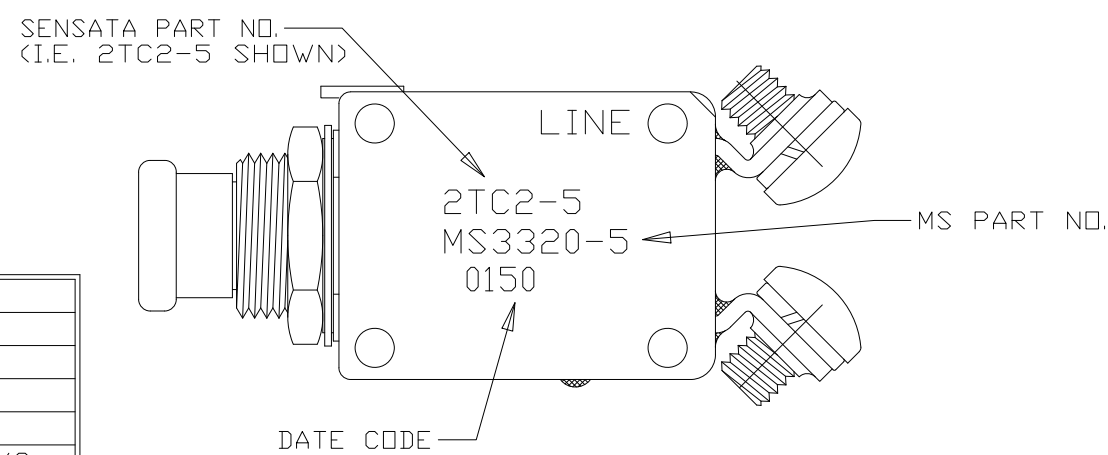
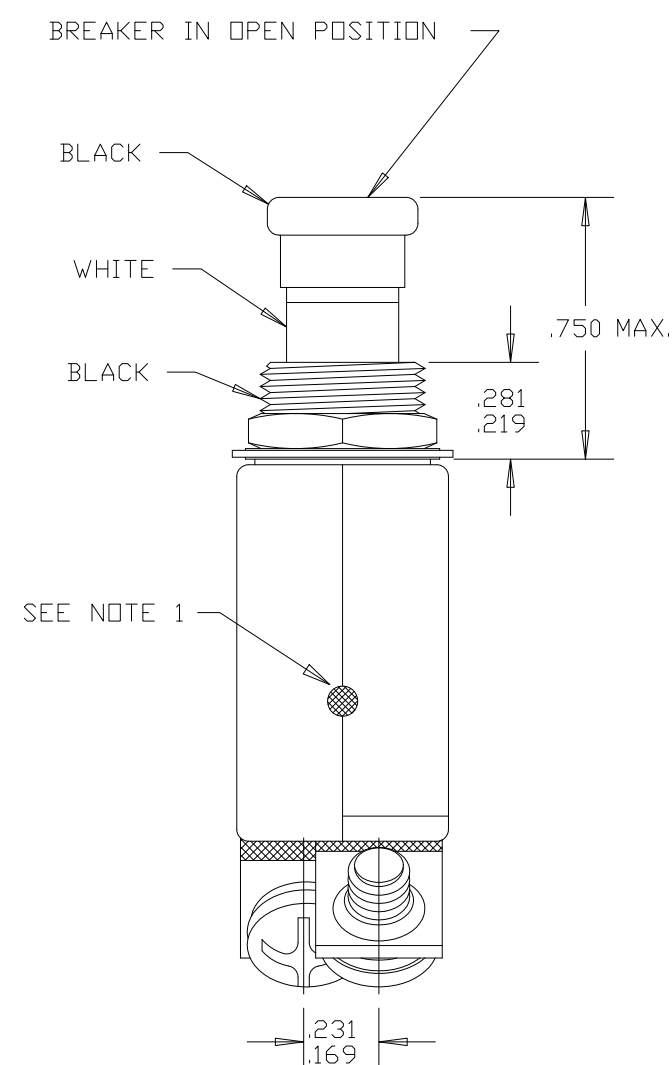
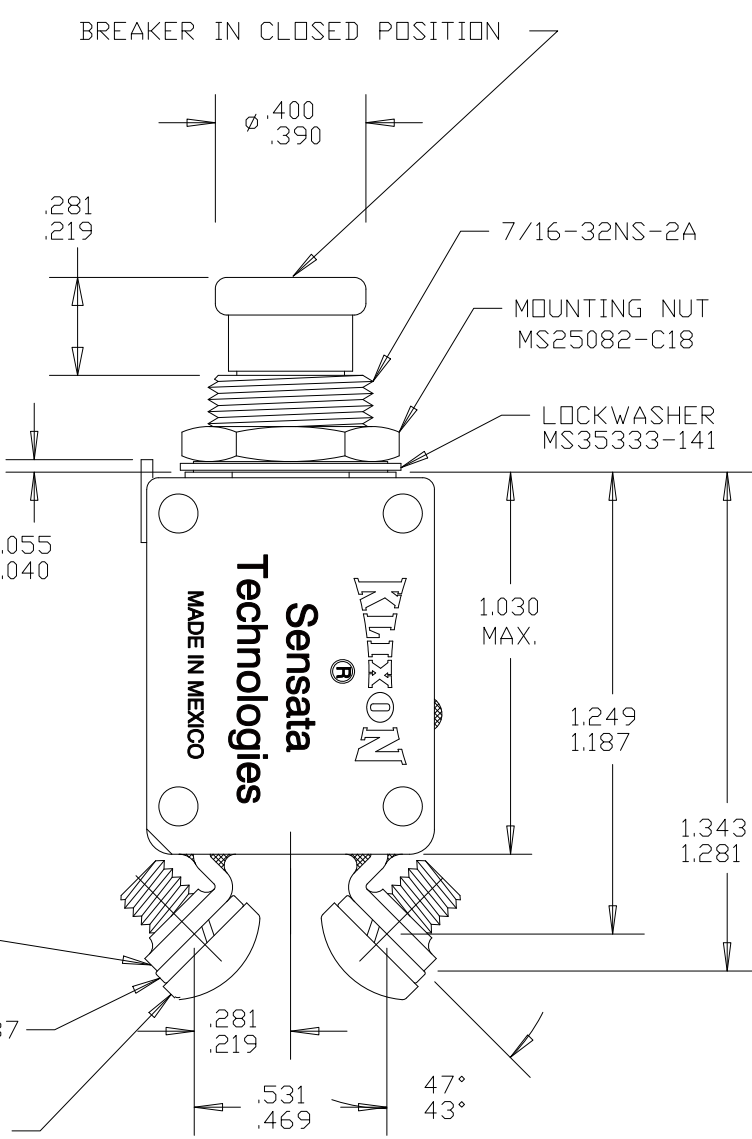
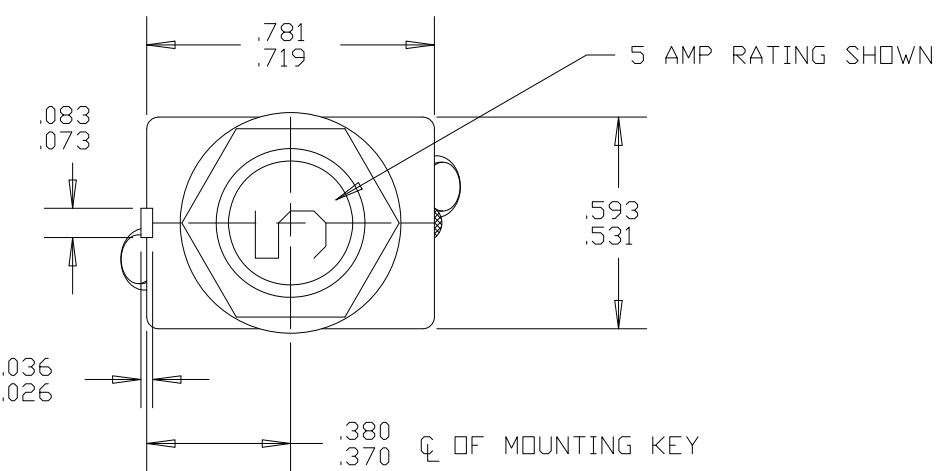


Property of  
Sensata Technologies



MARKING  
(SEE TABLE)

2TC2-30	N/A
2TC2-25	N/A
2TC2-20	MS 3320-20
2TC2-15	MS 3320-15
2TC2-10	MS 3320-10
2TC2-7 1/2	MS 3320-7-1/2
2TC2-5	MS 3320-5
2TC2-4	MS 3320-4
2TC2-3	MS 3320-3
2TC2-2 1/2	MS 3320-2-1/2
2TC2-2	MS 3320-2
2TC2-1	MS 3320-1
SENSATA PART NO.	MS PART NO.

MARKING TABLE

ZONE	REV.	REVISION DESCRIPTION	ECN NO.	DATE
	AH	ADDED 30 AMP; RW	ECO-053430	25-MAR-2010

PERFORMANCE CHARACTERISTICS

DETAIL PERFORMANCE PER AS 58091

OVERLOAD CYCLING	-----	100 CYCLES AT 200% RATING
VIBRATION	-----	10 G'S MINIMUM 50-500 HZ
MECHANICAL SHOCK	-----	50 G'S
ACCELERATION	-----	10 G'S
SAND AND DUST	-----	12 HOURS
CORROSION	-----	SALT SPRAY 50 HOURS
HUMIDITY	-----	10 DAYS
EXPLOSION PROOF	-----	WHILE INTERRUPTING RUPTURE CURRENTS

ENDURANCE:	120 VAC	400 HZ INDUCTIVE	2500 CYCLES
	30 VDC	400 HZ RESISTIVE	5000 CYCLES
		INDUCTIVE	2500 CYCLES
		RESISTIVE	5000 CYCLES
		NO LOAD	10000 CYCLES

CALIBRATION:	1 AMP THRU 30 AMP				
		MIN. ULT. TRIP	MAX. ULT. TRIP	200%	500%
+25°C, +77°F		115% RATING	138% RATING	5-20 SEC.	.5-2.0 SEC.
-55°C, -65°F		115% RATING	160% RATING	7-40 SEC.	.6-3.0 SEC.
+121°C, +250°F		100% RATING	138% RATING	3-13 SEC.	.33-1.1 SEC.
					.12-.53 SEC.
					.16-.8 SEC.
					.07-.3 SEC.

RUPTURE:	1 AMP	120 VAC, 400 HZ	3500 AMPS
	2 AND 2 1/2 AMP	120 VAC, 400 HZ	2800 AMPS
	3 THRU 15 AMP	120 VAC, 400 HZ	2500 AMPS
	20 AMP	120 VAC, 400 HZ	2000 AMPS
	25 AND 30 AMP	120 VAC, 400 HZ	1800 AMPS
	1 THRU 20 AMP	28 VDC	6000 AMPS
	25 AND 30 AMP	28 VDC	1625 AMPS

MAXIMUM OPERATING FORCES

PULL OUT	-----	5 LBS. MAX. (22.2 N)
RESET	-----	5 LBS. MAX. (22.2 N)

OPERATING ALTITUDE: 70,000 FT. (21,000 M)

WEIGHT: 25.0 GRAMS MAX.

VOLTAGE DROP:

1 AMP	-----	1.10 VOLTS MAX.
2 AMP	-----	0.70 VOLTS MAX.
2 1/2 AMP	-----	0.50 VOLTS MAX.
3 AMP	-----	0.40 VOLTS MAX.
4 AMP	-----	0.37 VOLTS MAX.
5 AMP	-----	0.35 VOLTS MAX.
7 1/2 AMP	-----	0.30 VOLTS MAX.
10 AMP	-----	0.28 VOLTS MAX.
15 AMP	-----	0.25 VOLTS MAX.
20 AMP	-----	0.25 VOLTS MAX.
25 AMP	-----	0.20 VOLTS MAX.
30 AMP	-----	0.20 VOLTS MAX.

NOTES:

1. EPOXY SURFACES ARE NON-DIMENSIONED, ENVELOPE DRAWING DIMENSIONS DO NOT APPLY TO THESE PROJECTED EPOXY SURFACES.
2. TERMINAL AND MOUNTING HARDWARE MAY BE PACKAGED RATHER THAN INSTALLED
3. COUNTRY OF ORIGIN IS SHOWN FOR ILLUSTRATION PURPOSES ONLY, COUNTRY OF ORIGIN TO BE IDENTIFIED AS REQUIRED.
4. DATE CODE PER 10588-285.
5. MARK IN APPROXIMATE POSITION SHOWN WITH BLACK INK PER 12506-70.

FOR REFERENCE ONLY, CHECK LATEST REVISION BEFORE USE. PARTS MADE TO THIS PRINT MUST CONFORM TO E9898 REV. E		529 PLEASANT STREET P.O. BOX 2964 ATTLEBORO, MA 02703	
DRAWN TOM DAIL	DATE 30-OCT-1989	SENSATA TECHNOLOGIES PROPRIETARY AND CONFIDENTIAL. NEITHER THIS PRINT NOR THE INFORMATION CONTAINED HEREON IS TO BE USED AGAINST THE INTERESTS OF SENSATA TECHNOLOGIES OR AGAINST THE INTERESTS OF ANY OF ITS AFFILIATED COMPANIES OR WHOLLY OWNED SUBSIDIARIES.	
ENGINEER JACQUES CHAMMAS	DATE 04-DEC-1989	UNLESS OTHERWISE SPECIFIED DIMENSIONS ARE IN INCHES TOLERANCES DECIMALS ANGLES	
APPROVED	DATE	TITLE PART NO 2TC2 AMBIENT COMPENSATED, HIGH TEMP. CIRCUIT BREAKER PUSH-PULL, TRIP FREE ENVELOPE DRAWING	
APPROVED	DATE	SIZE C	DWG NO. 2TC2
DATE	APPROVED	SCALE 1:1	REV. AH
DATE	APPROVED	DO NOT SCALE DRAWING	THIRD ANGLE PROJECTION
		SCALE 1:1	SHEET 1 OF 1