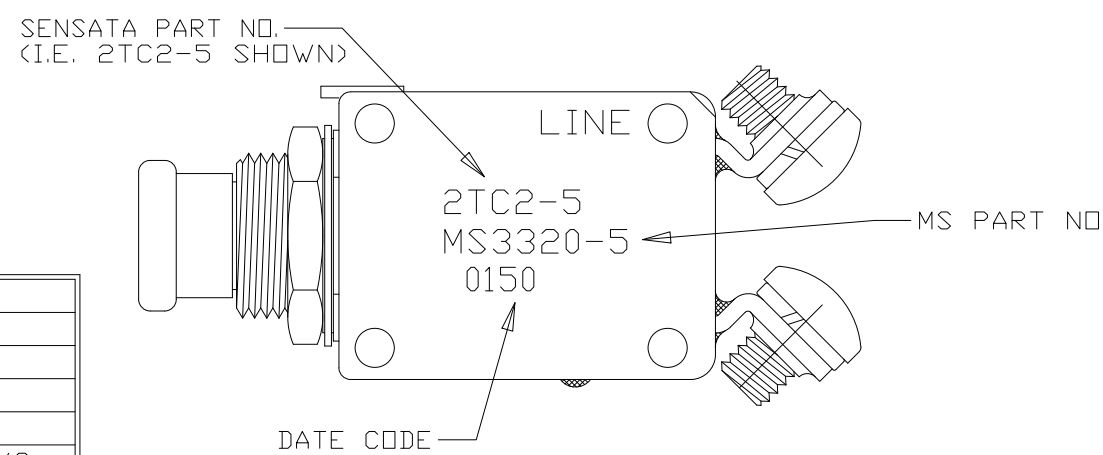
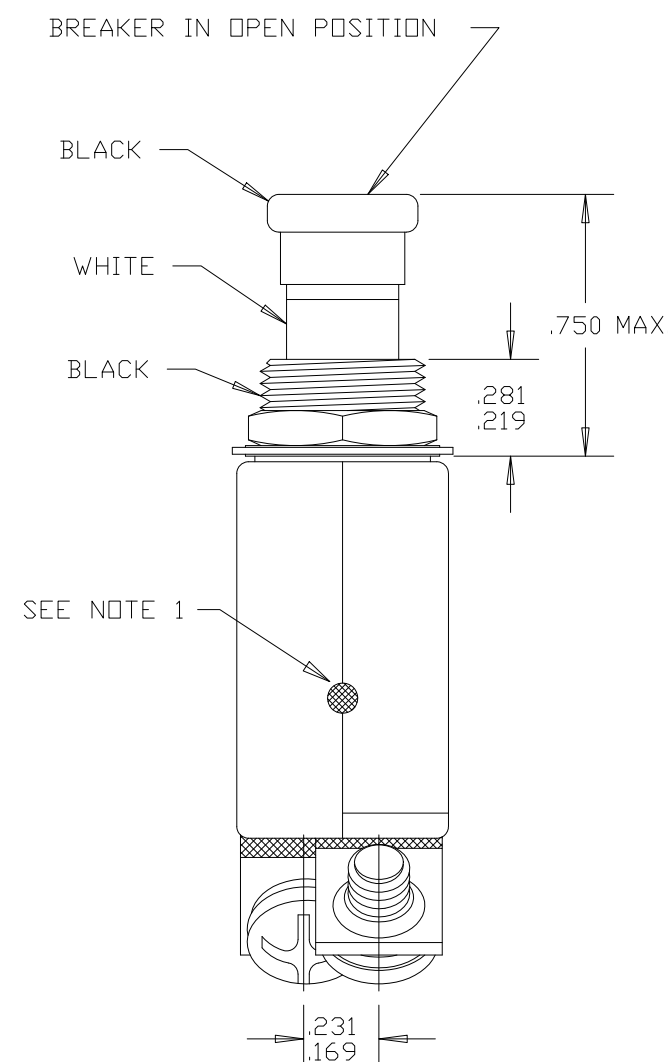
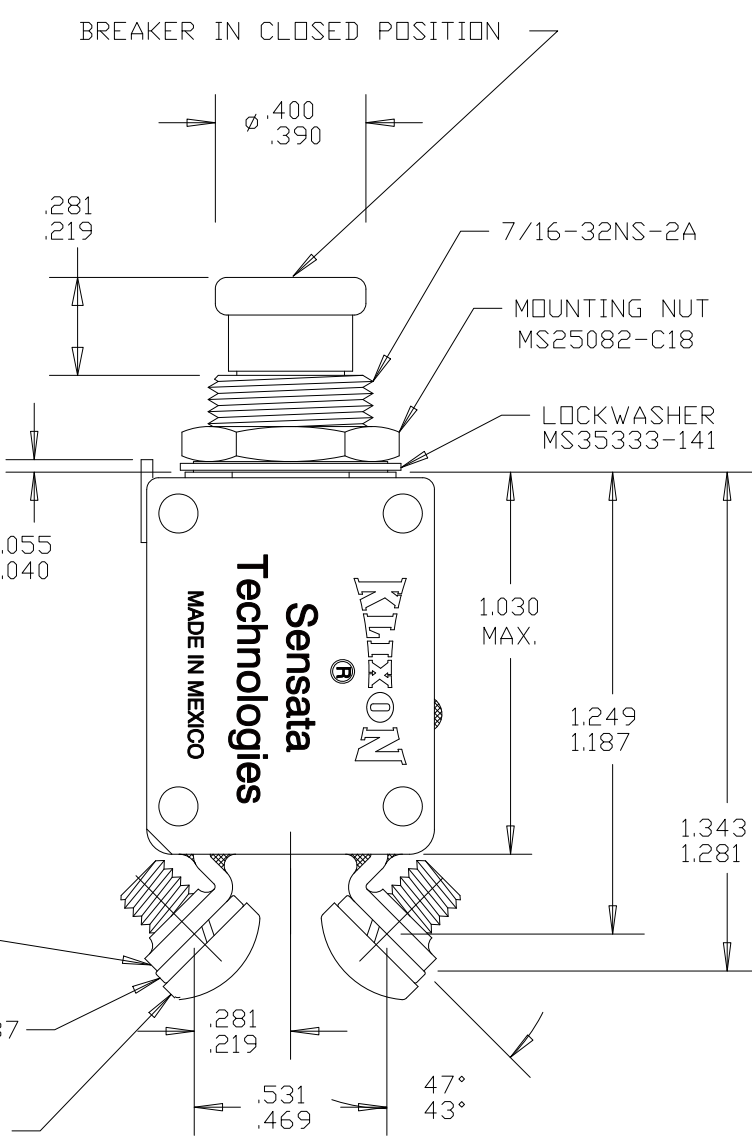
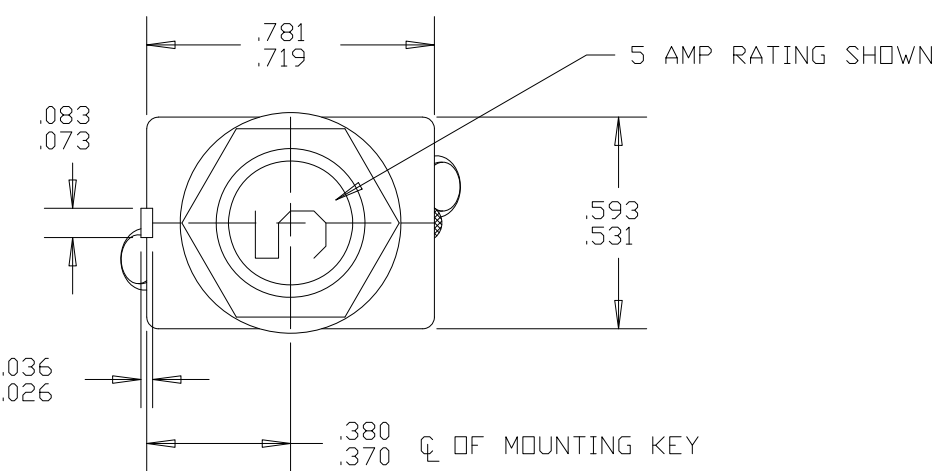


Property of
Sensata Technologies



MARKING
(SEE TABLE)

2TC2-30	N/A
2TC2-25	N/A
2TC2-20	MS 3320-20
2TC2-15	MS 3320-15
2TC2-10	MS 3320-10
2TC2-7 1/2	MS 3320-7-1/2
2TC2-5	MS 3320-5
2TC2-4	MS 3320-4
2TC2-3	MS 3320-3
2TC2-2 1/2	MS 3320-2-1/2
2TC2-2	MS 3320-2
2TC2-1	MS 3320-1
SENSATA PART NO.	MS PART NO.

MARKING TABLE

ZONE	REV.	REVISION DESCRIPTION	ECN NO.	DATE
	AH	ADDED 30 AMP; RW	ECO-053430	25-MAR-2010

PERFORMANCE CHARACTERISTICS

DETAIL PERFORMANCE PER AS 58091

OVERLOAD CYCLING -----100 CYCLES AT 200% RATING
 VIBRATION -----10 G'S MINIMUM 50-500 HZ
 MECHANICAL SHOCK -----50 G'S
 ACCELERATION -----10 G'S
 SAND AND DUST -----12 HOURS
 CORROSION -----SALT SPRAY 50 HOURS
 HUMIDITY -----10 DAYS
 EXPLOSION PROOF -----WHILE INTERRUPTING RUPTURE CURRENTS

ENDURANCE: 120 VAC 400 HZ INDUCTIVE 2500 CYCLES
 30 VDC 400 HZ RESISTIVE 5000 CYCLES
 MECHANICAL INDUCTIVE 2500 CYCLES
 RESISTIVE 5000 CYCLES
 NO LOAD 10000 CYCLES

CALIBRATION: 1 AMP THRU 30 AMP
 MIN. ULT. TRIP MAX. ULT. TRIP 200% 500% 1000%
 +25°C, +77°F 115% RATING 138% RATING 5-20 SEC. .5-2.0 SEC. .12-.53 SEC.
 -55°C, -65°F 115% RATING 160% RATING 7-40 SEC. .6-3.0 SEC. .16-.8 SEC.
 +121°C, +250°F 100% RATING 138% RATING 3-13 SEC. .33-1.1 SEC. .07-.3 SEC.

RUPTURE: 1 AMP 120 VAC, 400 HZ 3500 AMPS
 2 AND 2 1/2 AMP 120 VAC, 400 HZ 2800 AMPS
 3 THRU 15 AMP 120 VAC, 400 HZ 2500 AMPS
 20 AMP 120 VAC, 400 HZ 2000 AMPS
 25 AND 30 AMP 120 VAC, 400 HZ 1800 AMPS
 1 THRU 20 AMP 28 VDC 6000 AMPS
 25 AND 30 AMP 28 VDC 1625 AMPS

MAXIMUM OPERATING FORCES
 PULL OUT -----5 LBS. MAX. (22.2 N)
 RESET -----5 LBS. MAX. (22.2 N)

OPERATING ALTITUDE: 70,000 FT. (21,000 M)

WEIGHT: 25.0 GRAMS MAX.

VOLTAGE DROP:
 1 AMP -----1.10 VOLTS MAX.
 2 AMP -----0.70 VOLTS MAX.
 2 1/2 AMP -----0.50 VOLTS MAX.
 3 AMP -----0.40 VOLTS MAX.
 4 AMP -----0.37 VOLTS MAX.
 5 AMP -----0.35 VOLTS MAX.
 7 1/2 AMP -----0.30 VOLTS MAX.
 10 AMP -----0.28 VOLTS MAX.
 15 AMP -----0.25 VOLTS MAX.
 20 AMP -----0.25 VOLTS MAX.
 25 AMP -----0.20 VOLTS MAX.
 30 AMP -----0.20 VOLTS MAX.

NOTES:

1. EPOXY SURFACES ARE NON-DIMENSIONED, ENVELOPE DRAWING DIMENSIONS DO NOT APPLY TO THESE PROJECTED EPOXY SURFACES.
2. TERMINAL AND MOUNTING HARDWARE MAY BE PACKAGED RATHER THAN INSTALLED
3. COUNTRY OF ORIGIN IS SHOWN FOR ILLUSTRATION PURPOSES ONLY, COUNTRY OF ORIGIN TO BE IDENTIFIED AS REQUIRED.
4. DATE CODE PER 10588-285.
5. MARK IN APPROXIMATE POSITION SHOWN WITH BLACK INK PER 12506-70.

FOR REFERENCE ONLY, CHECK LATEST REVISION BEFORE USE. PARTS MADE TO THIS PRINT MUST CONFORM TO E9898 REV. E		529 PLEASANT STREET P.O. BOX 2964 ATTLEBORO, MA 02703	
DRAWN TOM DAIL	DATE 30-OCT-1989	SENSATA TECHNOLOGIES PROPRIETARY AND CONFIDENTIAL. NEITHER THIS PRINT NOR THE INFORMATION CONTAINED HEREON IS TO BE USED AGAINST THE INTERESTS OF SENSATA TECHNOLOGIES OR AGAINST THE INTERESTS OF ANY OF ITS AFFILIATED COMPANIES OR WHOLLY OWNED SUBSIDIARIES.	Sensata Technologies
ENGINEER JACQUES CHAMMAS	DATE 04-DEC-1989	UNLESS OTHERWISE SPECIFIED DIMENSIONS ARE IN INCHES TOLERANCES DECIMALS ANGLES	TITLE PART NO 2TC2 AMBIENT COMPENSATED, HIGH TEMP. CIRCUIT BREAKER PUSH-PULL, TRIP FREE ENVELOPE DRAWING
APPROVED	DATE	DO NOT SCALE DRAWING	THIRD ANGLE PROJECTION
DATE	APPROVED	SCALE 1:1	DWG NO. 2TC2
DATE	APPROVED	AUTOCAD	REV. AH
		SHEET 1 OF 1	