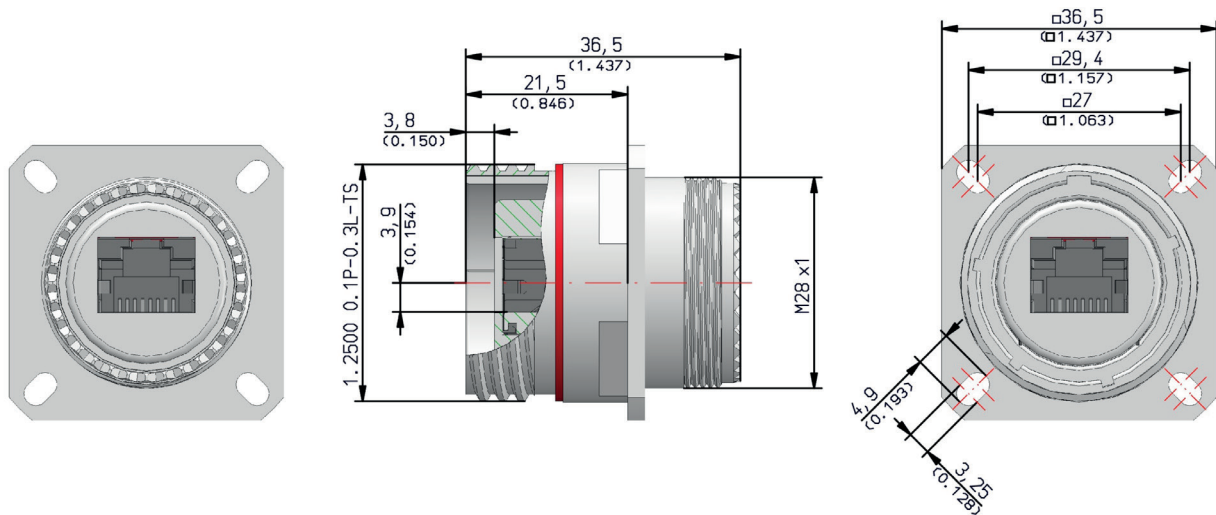


X1-SERIES-RUGGED INDUSTRIAL ETHERNET

MIL-DTL-38999 SERIES III

RJ45 CAT6A FEEDTHROUGH – SQUARE FLANGE RECEPTACLE

X1-9888



INFORMATION

All dimensions in mm (inch) unless otherwise specified.

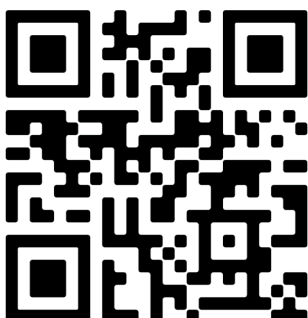
Mates with RJFTV

PN: X1-9888

Datasheet Version: 2.0

CATALOGUE:

RJ45 Industrial Ethernet
X1-Series



How to order

Table X1-9888 19 5 N 0

Basic part number

Shell size

Material & plating code

1

Keyway polarization

2

RJ45 orientation

3

Material & Plating Code
(Table 1)

Technical Design

ROHS-/REACH Compliant

Electrically Conductive Salt Spray Resistance

Material & Plating Code (Table 1)	Technical Design	ROHS-/REACH Compliant	Electrically Conductive	Salt Spray Resistance
V	Aluminium alloy Tin-Zinc, grey, nonreflective over electroless nickel	Yes	Yes	500 hrs
5	Aluminium alloy Electroless nickel	Yes	Yes	48 hrs
2	Aluminium alloy Zinc-Nickel, black over electroless nickel	Yes	Yes	500 hrs
6	Aluminium alloy Cadmium, olive drab over electroless nickel	No	Yes	500 hrs
9	Marine bronze CuAl10Ni5Fe4 (CW307G), shotblast, nonreflective	Yes	Yes	n.a.
1	Stainless steel Shotblast, nonreflective passivated	Yes	Yes	n.a.

Performance

Voltage rating AC	35 V
Voltage rating DC	50 V
Temperature	-40 °C to +120 °C
Mating cycles	>500
Data transmission	10 Gbit/s (500 Mhz)
Pin mapping	1:1 (e.g. Pin1 : Pin1)

Ground of RJ45s connected to housing

Materials

RJ45 housing	Thermoplastic UL94 V-0
RJ45 shield plating	Tin or nickel
RJ45 shield	Copper alloy
Contacts plating	Selective gold (1,27µm)
Contacts plating	Nickel plated
Contacts	Copper alloy
Housing	See option material
PCB	FR4, UL94V-0

For details about keyway polarization and RJ45 orientation see table 2 and 3 in the full X1-Series brochure.

ORDER EXAMPLE

X1-9888-19-5 N 0

CAT6A FEEDTROUGH - SQUARE FLANGE

SIZE 19

ELECTROLESS NICKEL

KEYWAY = N (STANDARD)

RJ45 POSITION = 0°

EMCA CONNECTOR SOLUTIONS GMBH

X1-9888 | Datasheet Version 2.0

SALES@EMCA-CONNECTOR.DE