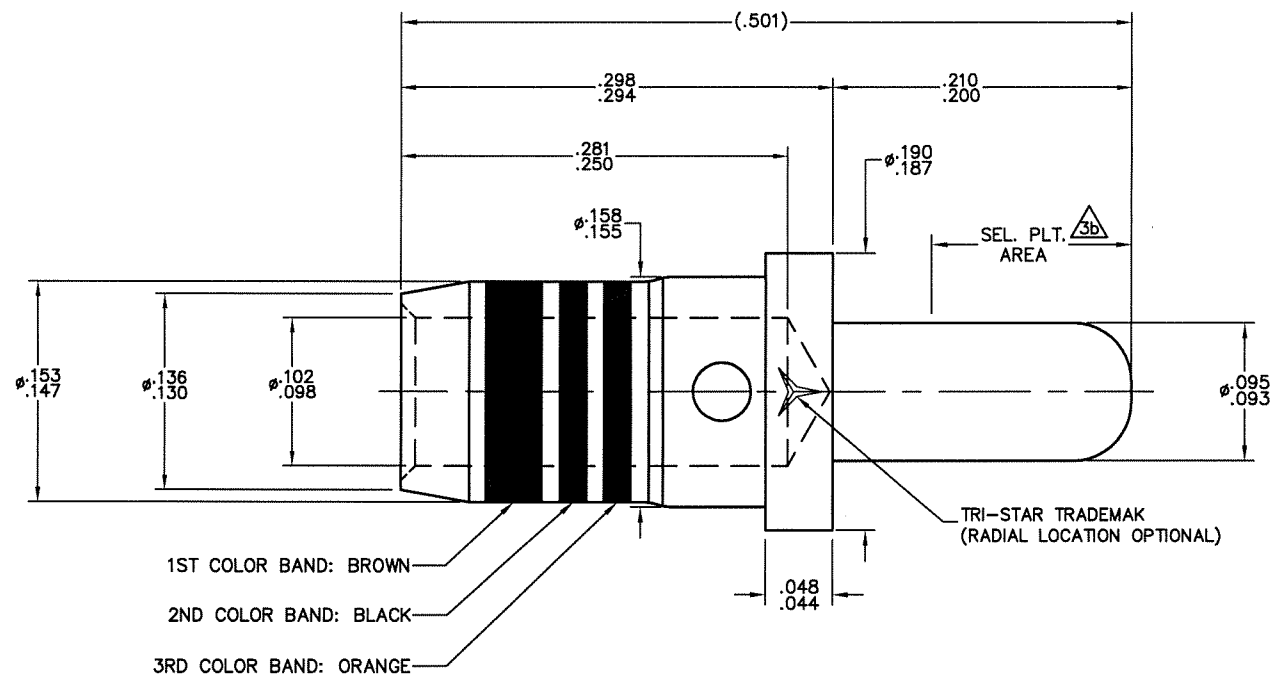


REVISIONS				
ZONE	LTR	DESCRIPTION	DATE	APPD
	B	REDRAWN & REVISED PER E.O. 18912	4-15-08	L.B.O
	C	REVISED PER E.O. 19141	10-17-08	Ja

THIS DOCUMENT CONTAINS PROPRIETARY INFORMATION AND EXCEPT WITH WRITTEN PERMISSION OF TRI-STAR ELECTRONICS INT'L, INC., SUCH INFORMATION SHALL NOT BE PUBLISHED, OR DISCLOSED TO OTHERS, OR USED FOR ANY PURPOSE, AND THE DOCUMENT SHALL NOT BE DUPLICATED IN WHOLE OR IN PART.



- 6. SHEET 2 IS FOR TRI-STAR INTERNAL USE ONLY.
- 5. THIS PART MEETS ALL APPLICABLE REQUIREMENTS OF AS39029.
- 4. **CRIMP TOOL DATA:**  
 BASIC CRIMPING TOOL: M22520/1-01  
 POSITIONER: M22520/1-02 YELLOW.

**3 FINISH:** a). GOLD PLATE PER MIL-DTL-45204, TYPE-II, GRADE C, CLASS 1 (.000050 MIN). OVER .000050 MIN NICKEL PLATE PER AMS-QQ-N-290.

b). **OVERALL PLATING:** GOLD, STRIKE, PER MIL-DTL-45204, TYPE I, GRADE A OVER NICKEL PLATE PER AMS-QQ-N-290.

**SELECTIVE PLATING:** GOLD PLATE PER MIL-DTL-45204, TYPE II, GRADE C, CLASS 1. SELECTIVE PLATING AREA PER AS39029.

**2 MATERIAL:** SUITABLE COPPER ALLOY PER AS39029.

1. [www.tri-starelectronics.com](http://www.tri-starelectronics.com)

NOTES: (UNLESS OTHERWISE SPECIFIED)

## SALES DRAWING

TABLE-1

MILITARY PART NUMBER	TRI-STAR PART NUMBER	FINISH
M39029/1-103	315-1212-503	3a
	315-1212-503-L	3b

QTY REQD	FORM NO.	PART OR IDENTIFYING NO.	NOMENCLATURE OR DESCRIPTION	MATERIAL SPECIFICATION	ITEM NO.
			<b>PARTS LIST</b>		
UNLESS OTHERWISE SPECIFIED DIMENSIONS ARE IN INCHES. TOLERANCES ARE:		CONTRACT NO.		<b>TRI-STAR ELECTRONICS INT'L, INC.</b> 2201 ROSECRANS AVENUE, EL SEGUNDO, CA 90245	
ANGLES ±30' .XX ±.01 .XXX ±.005		RATING:			
<b>DO NOT SCALE DRAWING</b>		APPROVALS		DWG TITLE	
MATERIAL: <b>2</b>	TREATMENT:	DATE		<b>CONTACT, ELECTRICAL CONNECTOR PIN, CRIMP REMOVABLE, #12</b>	
FINISH: <b>3</b>		DRAWN: CHAPMAN 4-1-80			
REF: SEE TABLE-1		CHECKED: J.V.G 5-8-80		SIZE: <b>A</b> CASE CODE: <b>55104</b> DWG NO.: 315-1212-503-*	
		APPROVED: MORENO 8-26-81		REV: C	
		APPROVED:		SCALE: NONE CAD NO: 8X- SHEET 1 OF 2	

APPLICATION	USED ON
NEXT ASSEMBLY	